

MAX-8

V1909.01



MAX-8

Excellent Performances & Reliability

CPC(Q)D15/18/
20/25/30/35T8
T8 series 1.5–3.5t forklift

EP EQUIPMENT CO.,LTD
www.ep-ep.com



CPC(Q)D15/18T8

T8 series 1.5-1.8t forklift specification

General		EP			
		CPQD15T8-S4Q 2	CPQD15T8-NB485BPG	CPQD15T8-GK21	CPQD18T8-S4Q2
1	Manufacture				
2	Model				CPQD18T8-GK21
3	Power type	Diesel	Diesel	Gasoline	Gasoline
4	Rated capacity	1500	1500	1500	1800
5	Load center	500	500	500	500
6	Lift height	3000	3000	3000	3000
7	Free lift height	120	120	120	120
8	Fork size	920×100×40	920×100×40	920×100×40	920×100×40
9	Mast lift range	6112	6112	6112	6112
10	Fork overhang(wheel center to fork face)	420	420	420	420
11	Rear overhang	2270	2270	2270	2320
12	Length to face of fork	1080	1080	1080	1080
13	Overall width	1995	1995	1995	1995
14	Mast lowered height	3960	3960	3960	3960
15	Mast extended height	2070	2070	2070	2070
16	Overhead guard height	1995	1995	1995	2035
17	Turning radius(outside)	2400	2400	2400	2440
18	Min.right angle stacking aisle width (Add load length and clearance)	14	14	14	14
19	Travel (No load)	460	460	460	460
20	Speed	450	450	450	450
21	Lowering (Full load)	14300	14300	14300	14800
22	Max.Drawbar Pull (Full load)	20	20	20	20
23	Max.Gradeability (Full load)	6.50-10-10PR	6.50-10-10PR	6.50-10-10PR	6.50-10-10PR
24	Tyres	5.00-8-10PR	5.00-8-10PR	5.00-8-10PR	5.00-8-10PR
25	Front	920	920	920	920
26	Rear	920	920	920	920
27	Tread	1430	1430	1430	1430
28	Wheelbase	110	110	110	110
29	Ground clearance	140	140	140	140
30	Wheelbase center	2700	2700	2700	2900
31	Self weight	3570	3570	3570	3995
32	Full load	630	630	630	705
33	Rear	1215	1215	1215	1305
34	Front	1485	1485	1485	1595
35	No load	12/60	12/60	12/60	12/60
36	Battery	S4Q2	NB485BPG	GK21	NB485BPG
37	Modal	Mitsubishi	CHINA	GCT	CHINA
38	Manufacture	32.9/2500	30/2600	31.2/2250	30/2600
39	Rated output/r.p.m	135/2000	131/1800	143.7/1600	131/1800
40	Rated torque/r.p.m	4	4	4	4
41	No of cylinder	88×103	85X100	89×83	85X100
42	Bore×Stroke	2505	2270	2065	2270
43	Displacement	50	50	50	50
44	Fuel tank capacity	CHINA	CHINA	CHINA	CHINA
45	Manufacture	Powershift	Powershift	Powershift	Powershift
46	Type	1/1	1/1	1/1	1/1
47	Stage	15	15	15	15
48	Operating pressure	For attachments			

1.Special lifting height available (2-stage mast :2.5m 2.7m,3.0m 3.3m,3.5m 3.7m,4m 4.3m,4.5m,5m. Full Free Duplex Mast 3.0m,3.3m,3.5m,3.6m. 3-stage mast : 4.3m,4.5m,4.8m,5m,5.5m,6m)
 2.Attachment available. 3.The specification in the table are for standard models only,For further information please contact us. 4.Specification are subject to change without notice.

CPC(Q)D20/25T8

T8 series 2.0-2.5t forklift specification

General		EP														
		CPCD20T8-S4S	CPCD20T8-C240	CPCD20T8-TD27	CPQD20T8-GK25	CPCD25T8-C490	CPCD25T8-S4S	CPCD25T8-C240	CPCD25T8-TD27	CPQD25T8-GK25	CPCD25T8-C490	CPCD25T8-S4S				
1	Manufacture															
2	Model															
3	Power type															
4	Rated capacity	Kg	2000	2000	2000	2000	2500	2500	2500	2500	2500	2500	2500	2500	2500	2500
5	Load center	mm	500	500	500	500	500	500	500	500	500	500	500	500	500	500
6	Lift height	mm	3000	3000	3000	3000	3000	3000	3000	3000	3000	3000	3000	3000	3000	3000
7	Free lift height	mm	120	120	120	120	120	120	120	120	120	120	120	120	120	120
8	Fork size	L×W×T	1070×120×40	1070×120×40	1070×120×40	1070×120×40	1070×120×40	1070×120×40	1070×120×40	1070×120×40	1070×120×40	1070×120×40	1070×120×40	1070×120×40	1070×120×40	1070×120×40
9	Mast tilt range	F/R	6/12	6/12	6/12	6/12	6/12	6/12	6/12	6/12	6/12	6/12	6/12	6/12	6/12	6/12
10	Fork overhang(wheel center to fork face)	mm	476	476	476	476	476	476	476	476	476	476	476	476	476	476
11	Rear overhang	mm	485	485	485	485	485	485	485	485	485	485	485	485	485	485
12	Length to face of fork	mm	2610	2610	2610	2610	2610	2610	2610	2610	2610	2610	2610	2610	2610	2610
13	Overall width	mm	1150	1150	1150	1150	1150	1150	1150	1150	1150	1150	1150	1150	1150	1150
14	Mast lowered height	mm	2050	2050	2050	2050	2050	2050	2050	2050	2050	2050	2050	2050	2050	2050
15	Mast extended height	mm	4200	4200	4200	4200	4200	4200	4200	4200	4200	4200	4200	4200	4200	4200
16	Overhead guard height	mm	2130	2130	2130	2130	2130	2130	2130	2130	2130	2130	2130	2130	2130	2130
17	Turning radius(outside)	mm	2170	2170	2170	2170	2170	2170	2170	2170	2170	2170	2170	2170	2170	2170
18	Min.right angle stacking aisle width (Add load length and clearance)	mm	2680	2680	2680	2680	2680	2680	2680	2680	2680	2680	2680	2680	2680	2680
19	Travel (No load)	Km/h	20	20	20	20	20	20	20	20	20	20	20	20	20	20
20	Speed	mm/sec	450	450	450	450	450	450	450	450	450	450	450	450	450	450
21	Lifting (Full load)	mm/sec	450	450	450	450	450	450	450	450	450	450	450	450	450	450
22	Max. Drawbar Pull (Full load)	N	14300	14300	14300	14300	14300	14300	14300	14300	14300	14300	14300	14300	14300	14300
23	Max. Gradeability (Full load)	%	20	20	20	20	20	20	20	20	20	20	20	20	20	20
24	Front	mm	7.00-12-12PR	7.00-12-12PR	7.00-12-12PR	7.00-12-12PR	7.00-12-12PR	7.00-12-12PR	7.00-12-12PR	7.00-12-12PR	7.00-12-12PR	7.00-12-12PR	7.00-12-12PR	7.00-12-12PR	7.00-12-12PR	7.00-12-12PR
25	Rear	mm	6.00-9-10PR	6.00-9-10PR	6.00-9-10PR	6.00-9-10PR	6.00-9-10PR	6.00-9-10PR	6.00-9-10PR	6.00-9-10PR	6.00-9-10PR	6.00-9-10PR	6.00-9-10PR	6.00-9-10PR	6.00-9-10PR	6.00-9-10PR
26	Front	mm	970	970	970	970	970	970	970	970	970	970	970	970	970	970
27	Rear	mm	970	970	970	970	970	970	970	970	970	970	970	970	970	970
28	Wheelbase	mm	1600	1600	1600	1600	1600	1600	1600	1600	1600	1600	1600	1600	1600	1600
29	Ground clearance	mm	120	120	120	120	120	120	120	120	120	120	120	120	120	120
30	Wheelbase center	mm	145	145	145	145	145	145	145	145	145	145	145	145	145	145
31	Self weight	Kg	3580	3580	3580	3580	3580	3580	3580	3580	3580	3580	3580	3580	3580	3580
32	Full load	Front	4856	4856	4856	4856	4856	4856	4856	4856	4856	4856	4856	4856	4856	4856
33	Rear	mm	724	724	724	724	724	724	724	724	724	724	724	724	724	724
34	Distribution	Front	1428	1428	1428	1428	1428	1428	1428	1428	1428	1428	1428	1428	1428	1428
35	Rear	mm	2152	2142	2142	2142	2142	2142	2142	2142	2142	2142	2142	2142	2142	2142
36	Battery	V/AH	12/80	12/80	12/80	12/80	12/80	12/80	12/80	12/80	12/80	12/80	12/80	12/80	12/80	12/80
37	Modal	S4S-DPELJ2	C490BPG-25	C240	TD27	TD27	GK25	GK25	C490BPG-25	S4S-DPELJ2	C240	TD27	TD27	GK25	GK25	GK25
38	Manufacture	Mitsubishi	CHINA	ISUZU	GCT	GCT	GCT	GCT	CHINA	Mitsubishi	ISUZU	Mitsubishi	GCT	GCT	GCT	GCT
39	Rated output/r.p.m	kw	35.3/2250	36.8/2650	34.5/2500	38.5/2300	37.4/2300	37.4/2300	36.8/2650	35.3/2250	34.5/2500	38.5/2300	37.4/2300	37.4/2300	37.4/2300	37.4/2300
40	Rated torque/r.p.m	N.m	177/1700	156/1700-1900	139/1800	160/2300	176.5/1600	176.5/1600	156/1700-1900	177/1700	139/1800	160/2300	176.5/1600	176.5/1600	176.5/1600	176.5/1600
41	No. of cylinder		4	4	4	4	4	4	4	4	4	4	4	4	4	4
42	Bore×Stroke	mm	94×120	90×105	86×102	96/92	89×100	89×100	90×105	94×120	86×102	96/92	89×100	89×100	89×100	89×100
43	Displacement	cc	3331	2670	2369	2663	2488	2488	2670	3331	2369	2663	2488	2488	2488	2488
44	Fuel tank capacity	L	60	60	60	60	60	60	60	60	60	60	60	60	60	60
45	Manufacture	CHINA	CHINA	CHINA	CHINA	CHINA	CHINA	CHINA	CHINA	CHINA	CHINA	CHINA	CHINA	CHINA	CHINA	CHINA
46	Type	Powershift	Powershift	Powershift	Powershift	Powershift	Powershift	Powershift	Powershift	Powershift	Powershift	Powershift	Powershift	Powershift	Powershift	Powershift
47	Stage	1/1	2/2	1/1	2/2	1/1	1/1	1/1	2/2	1/1	2/2	1/1	1/1	1/1	1/1	1/1
48	Operating pressure	Mpa	17.5	17.5	17.5	17.5	17.5	17.5	17.5	17.5	17.5	17.5	17.5	17.5	17.5	17.5

1.Special lifting height available (2-stage mast :2.5m,2.7m,3.0m,3.3m,3.5m,3.6m,3.7m,4m,4.3m,4.5m,4.8m,5m,5.1m,5.5m,5.8m,6m)
 2.Attachment available. 3.The specification in the table are for standard models only.For further information please contact us. 4.Specification are subject to change without notice.

CPC(Q)D30/35T8

T8 series 3.0-3.5t forklift specification

		EP											
General		CPCD30T8-S4S	CPCD30T8-C490	CPCD30T8-A488	CPCD30T8-C240	CPCD30T8-TD27	CPQD30T8-GK25	CPCD35T8-S4S	CPCD35T8-A488	CPCD35T8-TD27	CPQD35T8-GK25	Diesel	Gasoline
1	Manufacturer												
2	Model												
3	Power type												
4	Rated capacity	Kg	3000	3000	3000	3000	3000	3500	3500	3500	3500	3000	3500
5	Load center	mm	500	500	500	500	500	500	500	500	500	500	500
6	Lift height	mm	3000	3000	3000	3000	3000	3000	3000	3000	3000	3000	3000
7	Free lift height	mm	120	120	120	120	120	120	120	120	120	120	120
8	Fork size	mm	1070×125×45	1070×125×45	1070×125×45	1070×125×45	1070×125×45	1070×125×50	1070×125×50	1070×125×50	1070×125×50	1070×125×50	1070×125×50
9	Mast lift range	deg	612	612	612	612	612	612	612	612	612	612	612
10	Fork overhang(wheel center to fork face)	mm	481	481	481	481	481	486	486	481	481	481	486
11	Rear overhang	mm	590	590	590	590	590	590	590	590	590	590	590
12	Length to face of fork	mm	2762	2762	2762	2762	2762	2822	2822	2822	2822	2822	2822
13		Overall width	mm	1200	1200	1200	1200	1200	1200	1200	1200	1200	1200
14		Mast lowered height	mm	2070	2070	2070	2070	2070	2070	2070	2070	2070	2070
15	Mast extended height	mm	4210	4210	4210	4210	4210	4210	4210	4210	4210	4210	4210
16	Overhead guard height	mm	2180	2180	2180	2180	2180	2180	2180	2180	2180	2180	2180
17	Turning radius(outside)	mm	2450	2450	2450	2450	2450	2450	2450	2450	2450	2450	2450
18	Min.right angle stacking aisle width(Add load length and clearance)	mm	2950	2950	2950	2950	2950	2950	2950	2950	2950	3010	3010
19	Travel (No load)	Km/h	20	20	20	20	20	20	20	20	20	20	20
20	Speed	mm/sec	400	400	400	400	400	400	400	400	400	400	400
21	Lowering (Full load)	mm/sec	400	400	400	400	400	400	400	400	400	400	400
22	Max.Drawbar Pull (Full load)	N	21000	21000	21000	21000	21000	21000	21000	21000	21000	21500	21500
23	Max.Gradeability (Full load)	%	20	20	20	20	20	20	20	20	20	20	20
24	Tyres	Front	28×9-15-12PR	28×9-15-12PR	28×9-15-12PR	28×9-15-12PR	28×9-15-12PR	28×9-15-12PR	28×9-15-12PR	28×9-15-12PR	28×9-15-12PR	28×9-15-12PR	28×9-15-12PR
25		Rear	6.50-10-10PR	6.50-10-10PR	6.50-10-10PR	6.50-10-10PR	6.50-10-10PR	6.50-10-10PR	6.50-10-10PR	6.50-10-10PR	6.50-10-10PR	6.50-10-10PR	6.50-10-10PR
26		Font	1010	1010	1010	1010	1010	1010	1010	1010	1010	1010	1010
27	Tread	mm	980	980	980	980	980	980	980	980	980	980	980
28	Wheelbase	mm	1700	1700	1700	1700	1700	1700	1700	1700	1700	1760	1760
29	Ground clearance	mm	140	140	140	140	140	140	140	140	140	140	140
30	Wheelbase center	mm	175	175	175	175	175	175	175	175	175	175	175
31	Self weight	Kg	4450	4450	4450	4450	4450	4450	4450	4450	4450	4700	4700
32	Weight Distribution	Front	6488	6488	6488	6488	6488	6488	6488	6488	6488	7134	7134
33		Rear	962	962	962	962	962	962	962	962	962	1066	1066
34		No load	1810	1810	1810	1810	1810	1810	1810	1810	1810	1927	1927
35	Voltage/Capacity(20HR)	V/AH	2640	2640	2640	2640	2640	2640	2640	2640	2640	2773	2773
37	Model	SAS-DPEU2	C490BPG-25	A498BT1-39	C240	TD27	GK25	S4S-DPEU2	A498BT1-39	TD27	GK25	GCT	GCT
38	Manufacture	Mitsubishi	CHINA	ISUZU	CHINA	GCT	GCT	Mitsubishi	CHINA	GCT	Mitsubishi	CHINA	GCT
39	Rated output/r.p.m	kw	35.3/2250	36.8/2650	34.5/2500	36.8/2300	35.3/2300	35.3/2250	36.8/2400	38.5/2300	37.4/2300	38.5/2300	37.4/2300
40	Rated torque/r.p.m	N.m	177/1700	156/1700-1900	186/1600-1800	139/1800	160/2300	177/1700	186/1600-1800	160/2300	177/1700	160/2300	176.5/1600
41	No. of cylinder		4	4	4	4	4	4	4	4	4	4	4
42	Bore×Stroke	mm	94×120	90×105	86×102	88×102	96/92	89×100	95×105	96/92	89×100	96/92	89×100
43	Displacement	cc	3331	2670	2369	2369	2663	2488	2980	3331	2488	2663	2488
44	Fuel tank capacity	L	70	60	70	70	70	75	70	75	70	60	75
45	Manufacture		CHINA	CHINA	CHINA	CHINA	CHINA	CHINA	CHINA	CHINA	CHINA	CHINA	CHINA
46	Type		Powershift	Powershift	Powershift	Powershift	Powershift	Powershift	Powershift	Powershift	Powershift	Powershift	Powershift
47	Stage		1/1	1/1	1/1	1/1	1/1	1/1	1/1	1/1	1/1	1/1	1/1
48	Operating pressure	Mpa	17.5	17.5	17.5	17.5	17.5	17.5	17.5	17.5	17.5	17.5	17.5

1.Special lifting height available (2-stage mast : 2.5m,2.7m,3.0m,3.3m,3.5m,3.6m,3.7m,4m,4.3m,4.5m,5m. Full Free Duplex Mast 3.0m,3.3m,3.6m. 3-stage mast : 4.3m,4.5m,4.8m,5m,5.5m,6m)
 2.Attachment available. 3.The specification in the table are for standard models only,For further information please contact us. 4.Specification are subject to change without notice.

1.5-1.8t T8 series mast: (pneumatic)

Type	Model	Max.fork height	Overall height				Free lift		Front Overhang		Tilt range		Capacity			
			Lowered	Extended		Without backrest	With backrest	1.5t	1.8t	FWD	BWD	Load capacity at 500 mm				
				Without backrest	With backrest							Single tire		Double tire		
												1.5t	1.8t	1.5t	1.8t	
mm	mm	mm	mm	mm	mm	mm	mm	Deg	Deg	kg	kg	kg	kg			
Wide view mast	2W200	2000	1495	2585	2955	120	120	420	420	6	12	1500	1800	1500	1800	
	2W250	2500	1745	3085	3455	120	120	420	420	6	12	1500	1800	1500	1800	
	2W270	2700	1845	3285	3655	120	120	420	420	6	12	1500	1800	1500	1800	
	2W300	3000	1995	3585	3955	120	120	420	420	6	12	1500	1800	1500	1800	
	2W330	3300	2145	3885	4255	120	120	420	420	6	12	1500	1800	1500	1800	
	2W350	3500	2245	4085	4455	120	120	420	420	6	12	1500	1800	1500	1800	
	2W360	3600	2295	4185	4555	120	120	420	420	6	12	1500	1800	1500	1800	
	2W400	4000	2545	4585	4955	120	120	420	420	6	12	1400	1700	1500	1800	
	2W430	4300	2695	4885	5255	120	120	420	420	6	6	1300	1600	1400	1700	
	2W450	4500	2795	5085	5455	120	120	420	420	6	6	1250	1500	1350	1600	
wide view full 2-stage mast	2F250	2500	1790	3105	3455	1045	765	420	420	6	12	1500	1800	1500	1800	
	2F270	2700	1890	3305	3655	1145	865	420	420	6	12	1500	1800	1500	1800	
	2F300	3000	2040	3605	3955	1345	1105	420	420	6	12	1500	1800	1500	1800	
	2F330	3300	2190	3905	4255	1495	1165	420	420	6	12	1500	1800	1500	1800	
	2F360	3600	2340	4205	4555	1645	1315	420	420	6	12	1500	1800	1500	1800	
	2F400	4000	2540	4605	4955	1815	1565	420	420	6	12	1400	1700	1500	1800	
	3F430	4300	2695	5070	5255	1425	1080	440	440	6	6	1250	1500	1350	1600	
	3F450	4500	2845	5370	5465	1485	1140	440	440	6	6	1200	1400	1300	1500	
wide view full 3-stage mast	3F480	4800	2160	5445	5755	1575	1230	440	440	6	6	1100	1300	1200	1400	
	3F500	5000	2210	5605	5955	1665	1320	440	440	6	6	1050	1200	1150	1300	
	3F550	5500	2375	6120	6455	1825	1480	440	440	3	6	/	/	950	1100	
	3F600	6000	2600	6695	6955	1975	1630	440	440	3	6	/	/	750	900	

Note:1. With sideshifter minus 150Kg, with integral sideshifter minus 100Kg.

2.0-2.5t T8 series mast: (pneumatic)

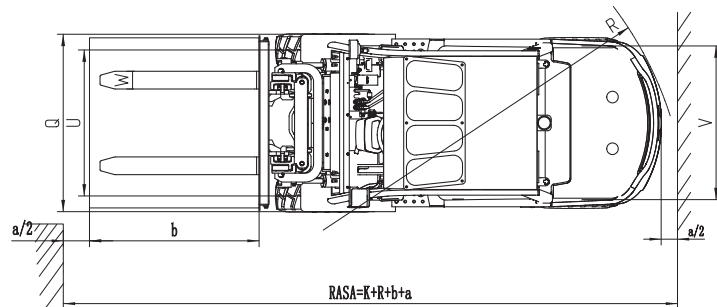
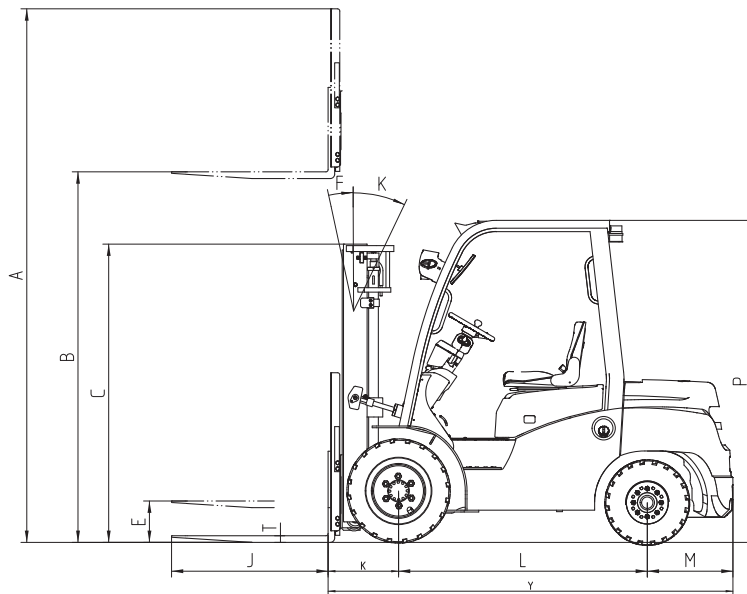
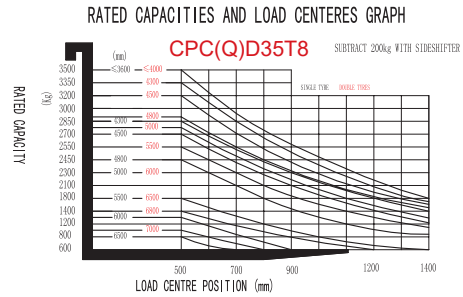
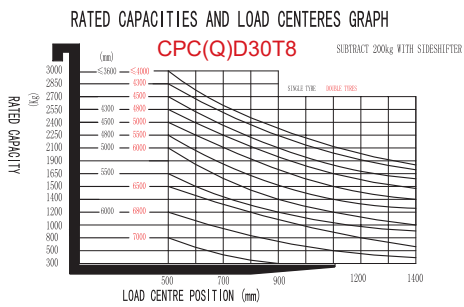
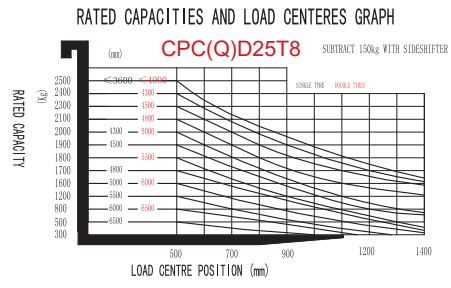
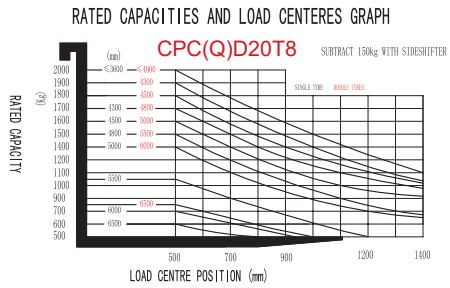
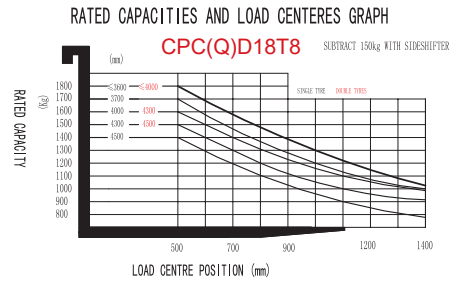
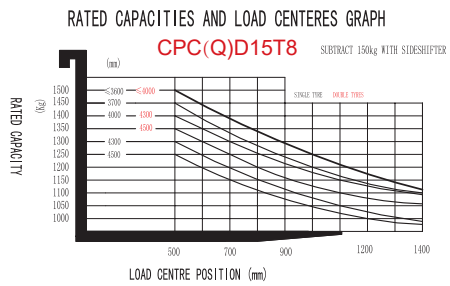
Type	Model	Max.fork height	Overall height				Free lift		Front Overhang		Tilt range		Capacity			
			Lowered	Extended		Without backrest	With backrest	2.0t	2.5t	FWD	BWD	Load capacity at 500 mm				
				Without backrest	With backrest							Single tire		Double tire		
												2.0t	2.5t	2.0t	2.5t	
mm	mm	mm	mm	mm	mm	mm	mm	Deg	Deg	kg	kg	kg	kg			
Wide view mast	2W200	2000	1550	2740	3420	120	120	476	476	6	10	2000	2500	2000	2500	
	2W250	2500	1800	3040	3720	120	120	476	476	6	10	2000	2500	2000	2500	
	2W270	2700	1900	3240	3920	120	120	476	476	6	10	2000	2500	2000	2500	
	2W300	3000	2050	3540	4220	120	120	476	476	6	10	2000	2500	2000	2500	
	2W330	3300	2200	3690	4370	120	120	476	476	6	10	2000	2500	2000	2500	
	2W350	3500	2300	3890	4570	120	120	476	476	6	10	2000	2500	2000	2500	
	2W360	3600	2350	3990	4670	120	120	476	476	6	10	2000	2500	2000	2500	
	2W400	4000	2600	4040	4720	120	120	476	476	6	10	1900	2300	2000	2500	
	2W430	4300	2750	4340	5020	120	120	476	476	6	6	1800	2100	1950	2450	
	2W450	4500	2850	4290	4970	120	120	476	476	6	6	1700	2000	1900	2400	
wide view full 2-stage mast	2F250	2500	1785	2090	2770	1210	560	476	476	6	10	2000	2500	2000	2500	
	2F270	2700	1885	2290	2970	1310	660	476	476	6	10	2000	2500	2000	2500	
	2F300	3000	2035	2590	3270	1460	810	476	476	6	10	2000	2500	2000	2500	
	2F330	3300	2185	3840	4520	1610	960	476	476	6	10	2000	2500	2000	2500	
	2F360	3600	2335	4140	4820	1760	1110	476	476	6	10	2000	2500	2000	2500	
	2F400	4000	2585	4540	5220	2060	1410	476	476	6	10	1900	2300	2000	2500	
	3F430	4300	2035	4880	5560	1360	730	490	490	6	6	1700	2000	1900	2400	
	3F450	4500	2115	5040	5720	1460	810	490	490	6	6	1600	1900	1800	2300	
wide view full 3-stage mast	3F480	4800	2220	5345	6020	1565	915	490	490	6	6	1500	1700	1700	2100	
	3F500	5000	2305	5540	6220	1610	960	490	490	6	6	1400	1600	1600	2000	
	3F550	5500	2555	6120	6800	1770	1120	490	490	3	6	1050	1200	1500	1800	
	3F600	6000	2805	6540	7220	2020	1370	490	490	3	6	700	800	1400	1600	

Note:1. With sideshifter minus 150Kg, with integral sideshifter minus 100Kg.

3.0-3.5t T8 series mast: (pneumatic)

Type	Model	Max.fork height	Overall height				Free lift		Front Overhang		Tilt range		Capacity			
			Lowered	Extended		Without backrest	With backrest	3.0t	3.5t	FWD	BWD	Load capacity at 500 mm				
				Without backrest	With backrest							Single tire		Double tire		
												3.0t	3.5t	3.0t	3.5t	
mm	mm	mm	mm	mm	mm	mm	mm	Deg	Deg	kg	kg	kg	kg			
Wide view mast	2W200	2000	1570	2570	3250	120	120	481	486	6	12	3000	3000	3500	3500	
	2W250	2500	1820	3070	3750	120	120	481	486	6	12	3000	3000	3500	3500	
	2W270	2700	1920	3270	3950	120	120	481	486	6	12	3000	3000	3500	3500	
	2W300	3000	2070	3570	4250	120	120	481	486	6	12	3000	3000	3500	3500	
	2W330	3300	2220	3690	4370	120	120	481	486	6	12	3000	3000	3500	3500	
	2W350	3500	2320	3890	4570	120	120	481	486	6	12	3000	3000	3500	3500	
	2W360	3600	2370	3990	4670	120	120	481	486	6	12	3000	3000	3500	3500	
	2W400	4000	2620	4040	4720	120	120	481	486	6	12	2850	3000	3250	3500	
	2W430	4300	2770	4340	5020	120	120	481	486	6	6	2700	2900	3000	3400	
	2W450	4500	2870	4290	4970	120	120	481	486	6	6	2550	2850	2850	3350	
wide view full 2-stage mast	2F250	2500	1830	2220	2900	1210	560	481	486	6	12	3000	3000	3500	3500	
	2F270	2700	1930	2320	3000	1310	660	481	486	6	12	3000	3000	3500	3500	
	2F300	3000	2080	2620	3300	1460	810	481	486	6	12	3000	3000	3500	3500	
	2F330	3300	2230	3870	4550	1610	960	481	486	6	12	3000	3000	3500	3500	
	2F360	3600	2380	4020	4700	1760	1110	481	486	6	12	3000	3000	3500	3500	
	2F400	4000	2580	4420	5100	2060	1410	481	486	6	12	2850	3000	3250	3500	
	3F430	4300	2055	4910	5570	1360	730	495	500	6	6	2550	2850	2850	3350	
	3F450	4500	2135	5070	5750	1460	810	495	500	6	6	2400	2700	2700	3200	
wide view full 3-stage mast	3F480	4800	2240	5375	6050	1565	915	495	500	6	6	2250	2550	2450	2950	
	3F500	5000	2325	5570	6250	1610	960	495	500	6	6	1650	2250	2300	2800	
	3F550	5500	2575	6150	6830	1770	1120	495	500	3	6	1800	2250	1800	2550	
	3F600	6000	2825	6570	7250	2020	1370	495	500	3	6	1200	2100	1300	2300	

Note:1. With sideshifter minus 200Kg, with integral sideshifter minus 150Kg.



Option

Options	15/18T8	20/25T8	30T8	35T8
1 Fork length	○	○	○	○
2 Fork extension	○	○	○	○
3 Folded fork	○	○	○	○
4 Imported diesel engine	○	○	○	○
5 Import Gasoline Engine	○	○	○	○
6 LPG system	○	○	○	○
7 High exhaust	○	○	○	○
8 Dual air cleaners or special air cleaner	○	○	○	○
9 Solid rubber tire	○	○	○	○
10 No marking solid tire	○	○	○	○
11 Overhead guard	●	●	●	●
12 Mast options	○	○	○	○
13 Attachments	○	○	○	○
14 Integrated side shift	○	○	○	○
15 Cockpit	●	●	●	●
16 heater	○	○	○	○
17 Front windshield with wiper	○	○	○	○
18 Rear windshield with wiper	○	○	○	○
19 Fan	○	○	○	○
20 Full steel cabin room	○	○	○	○
21 LED front light	●	●	●	●
22 Rear working LED light	○	○	○	○
23 Fire extinguisher	○	○	○	○
24 Suspension seat	○	○	○	○
25 Seat switch	●	●	●	●
26 Warning light	●	●	●	●
27 Insulation mat	○	○	○	○
28 Double front tyre	○	○	○	○
29 OPS system	○	○	○	○

Note: ● standard ○ option — NA

